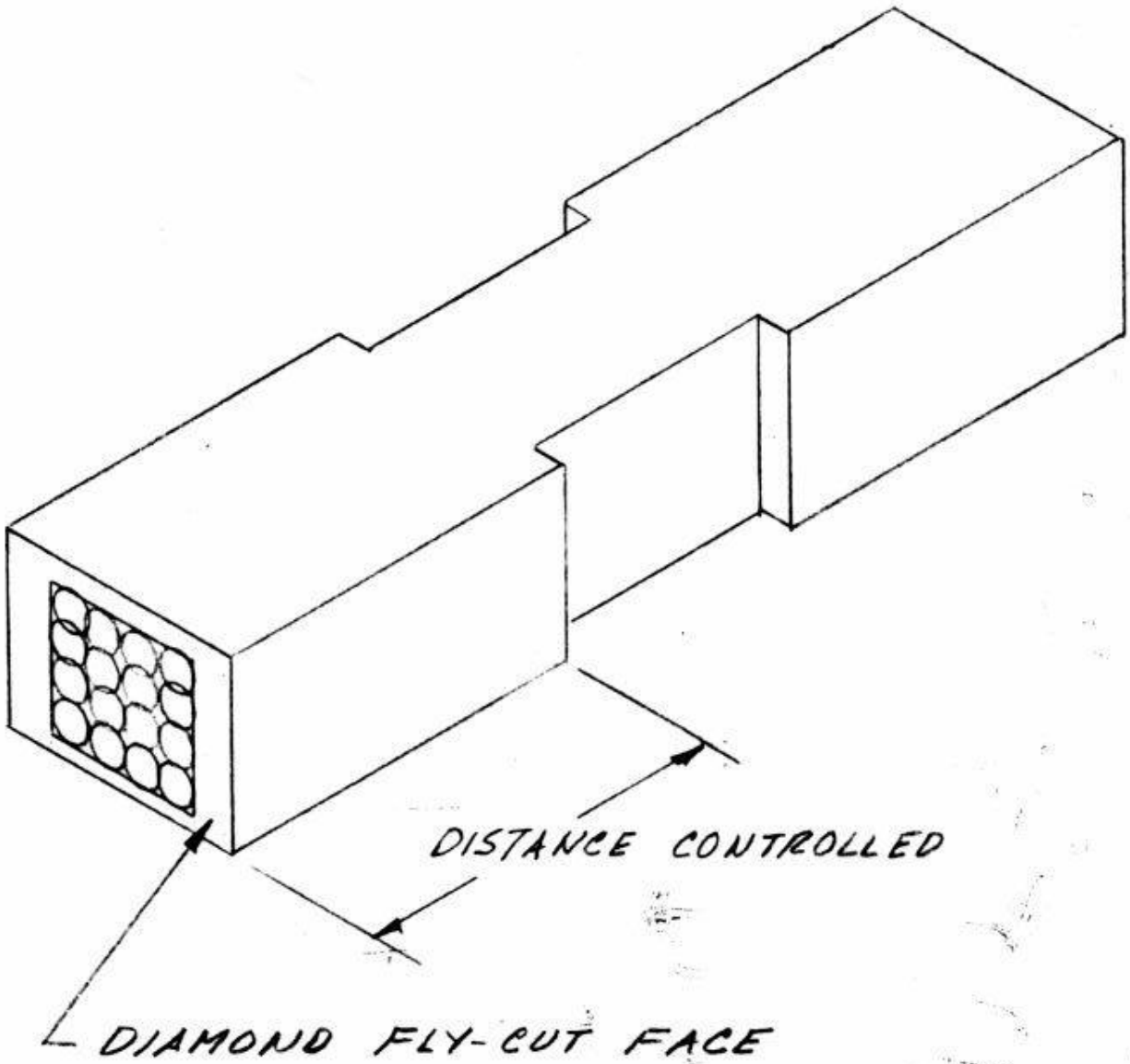
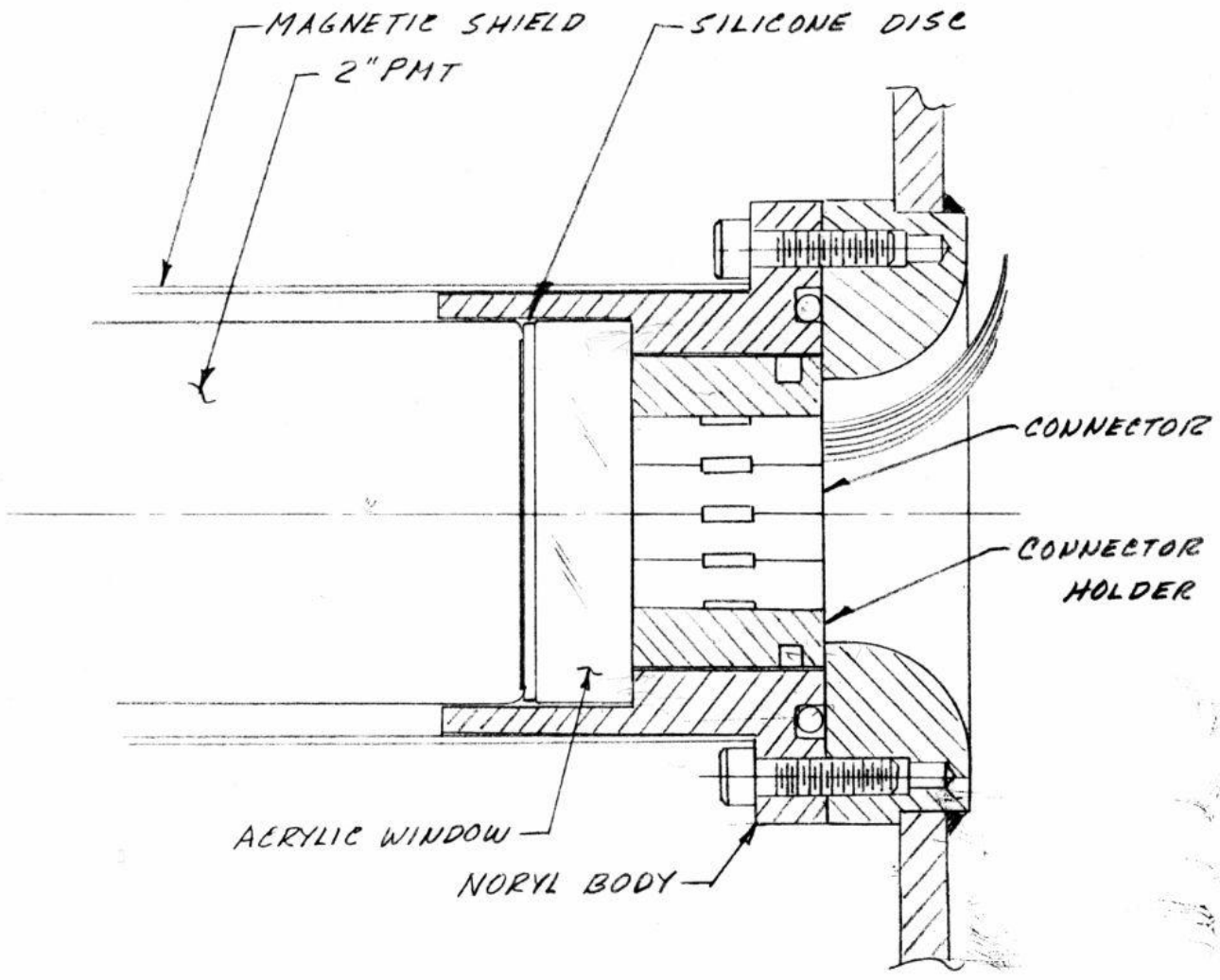


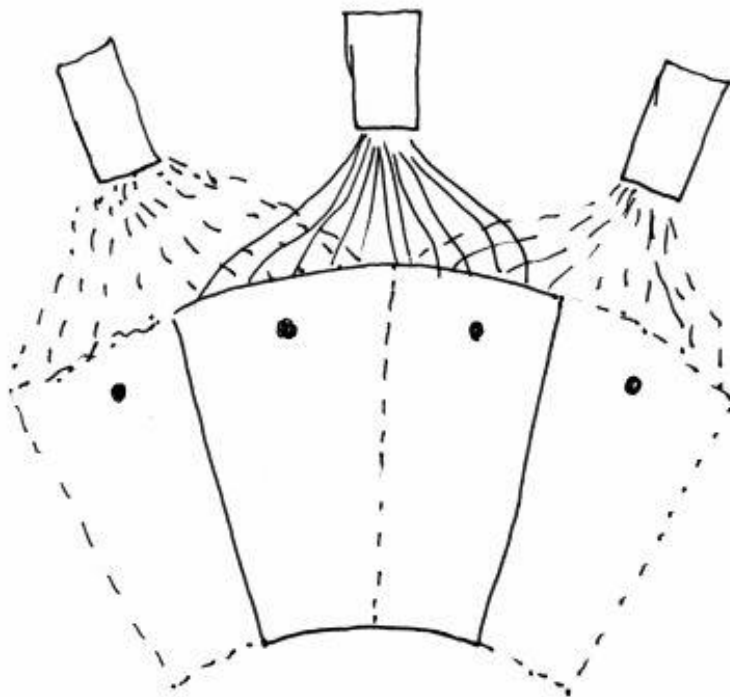
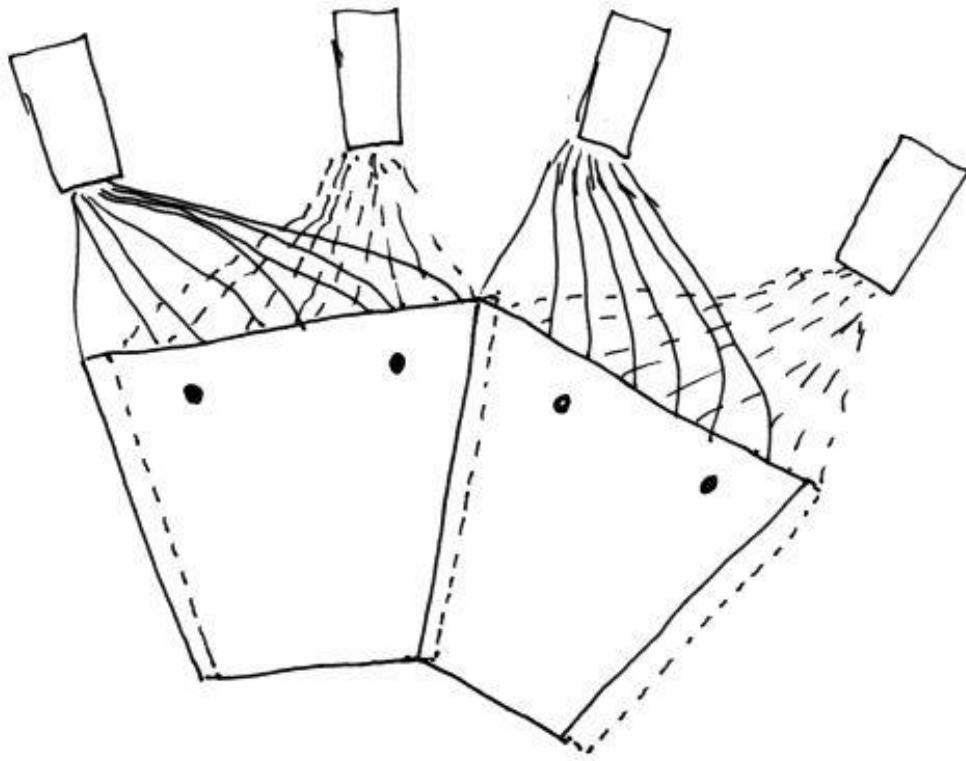
CONNECTOR HOLDER



TILE CONNECTOR



ASSEMBLY



ADVANTAGES :

SIMPLER FIBER ROUTING SCHEME
(LESS OVERLAP ; SYMMETRIC)
BETTER SPATIAL RESOLUTION