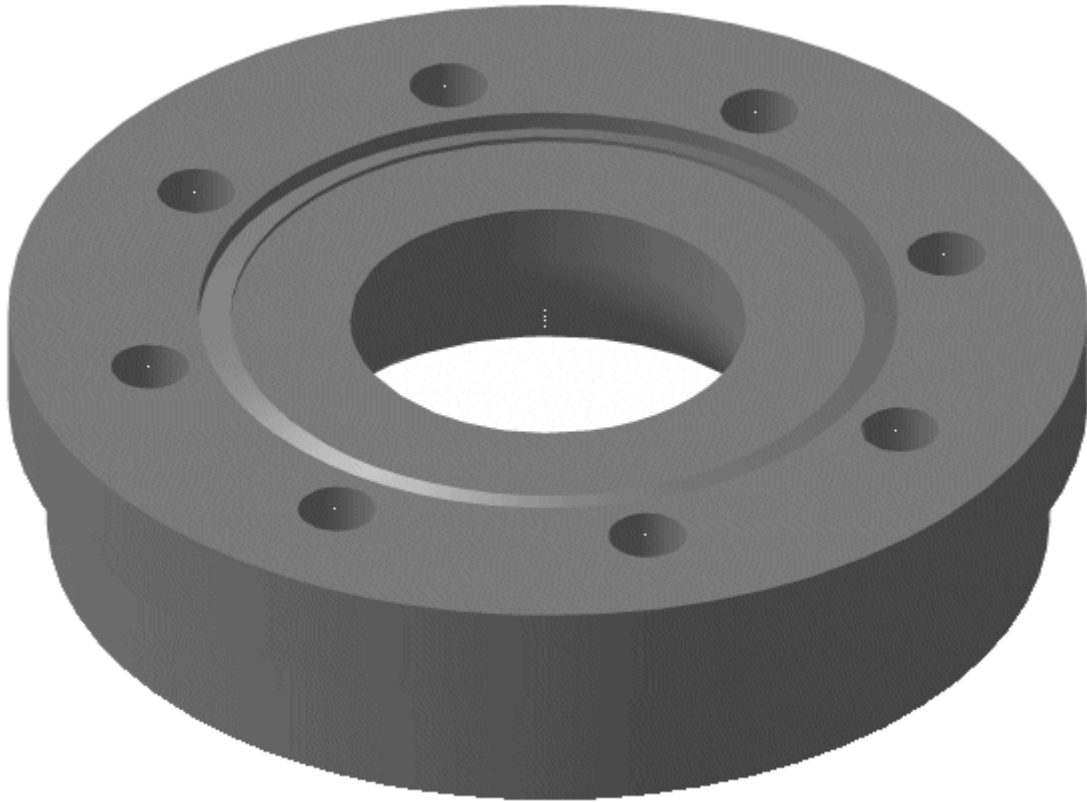


NW320-port.gif

CKM VVS – NW320 Port Layout

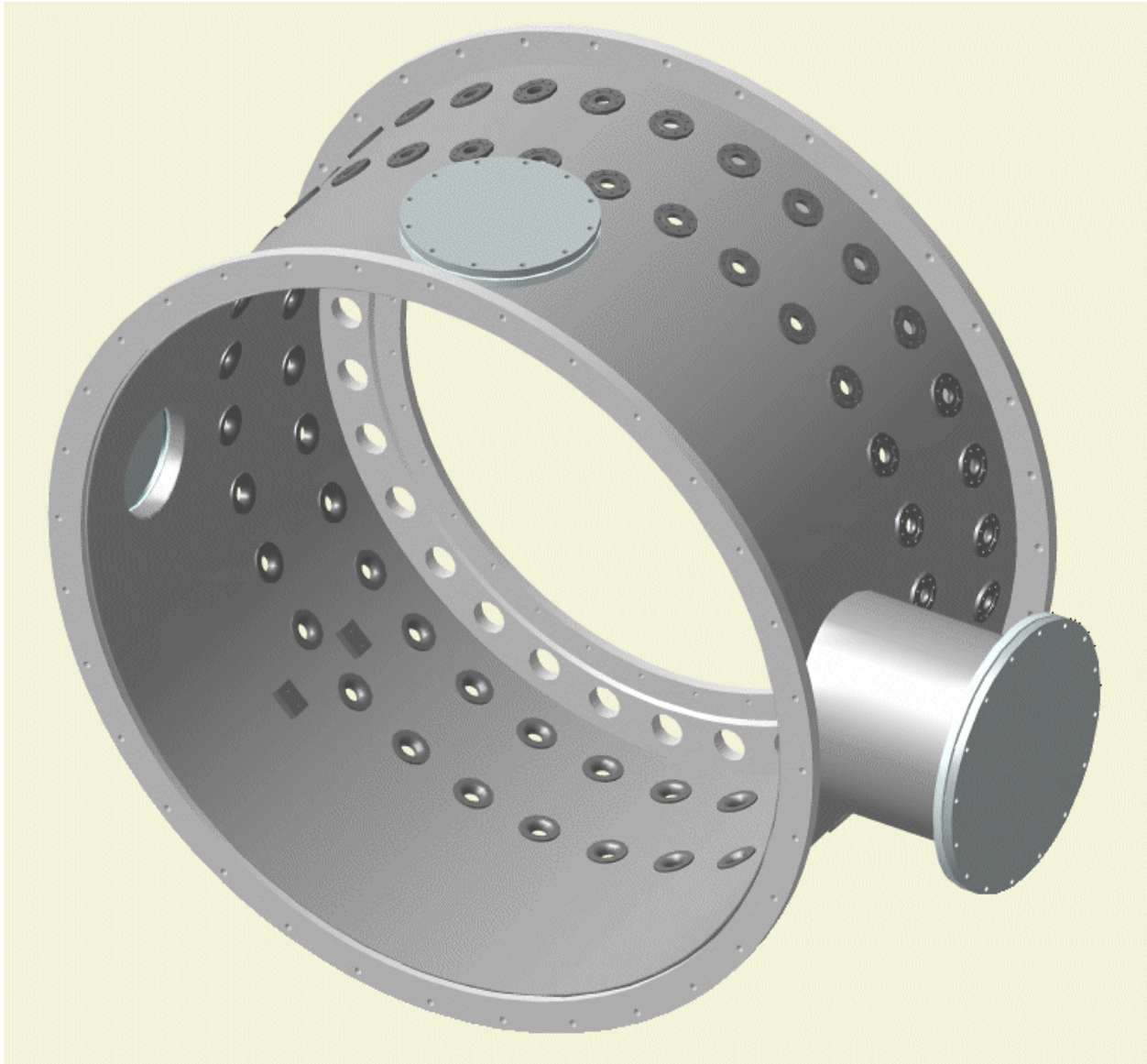
12" Schedule 10S pipe
12.750" OD x 0.180" wall x 1" protrusion



pmt-flange-3.gif

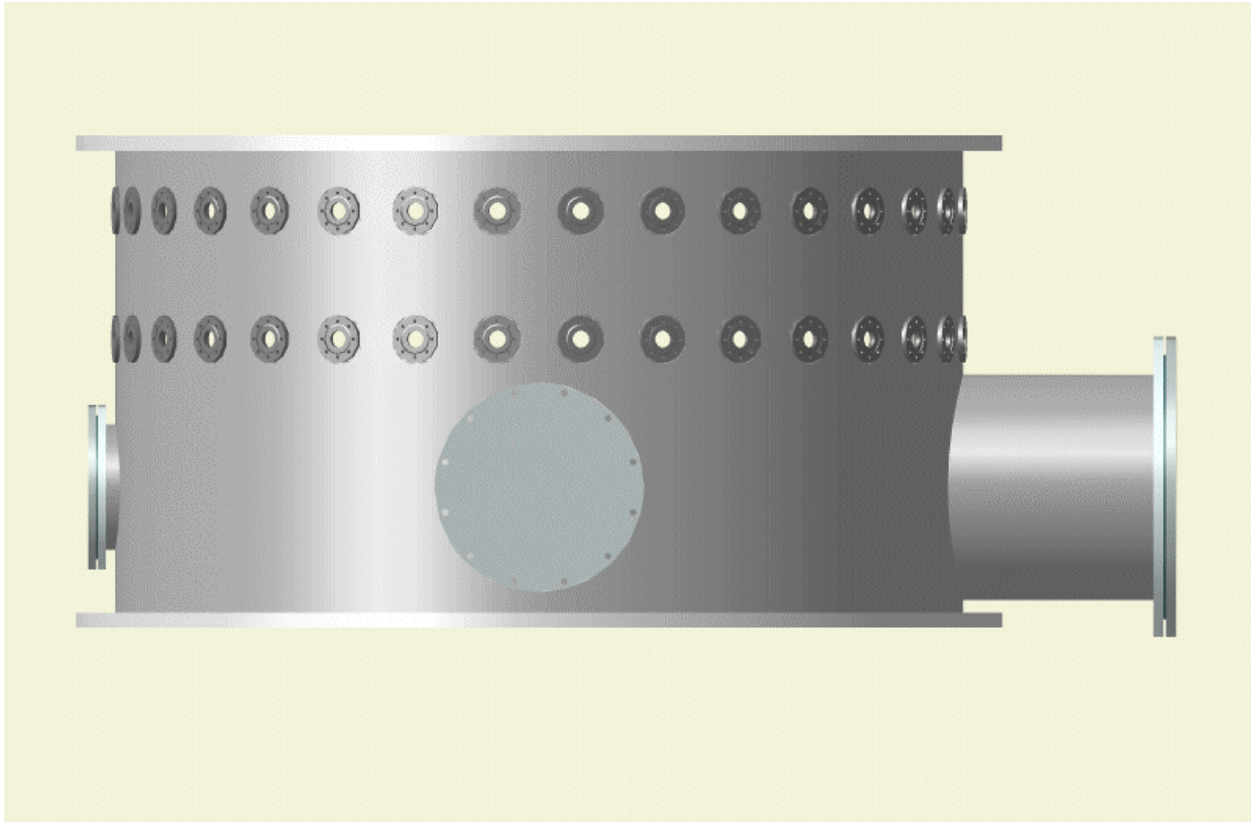
CKM VVS – PMT Flange with knife edge

As measured from MDC CF fitting



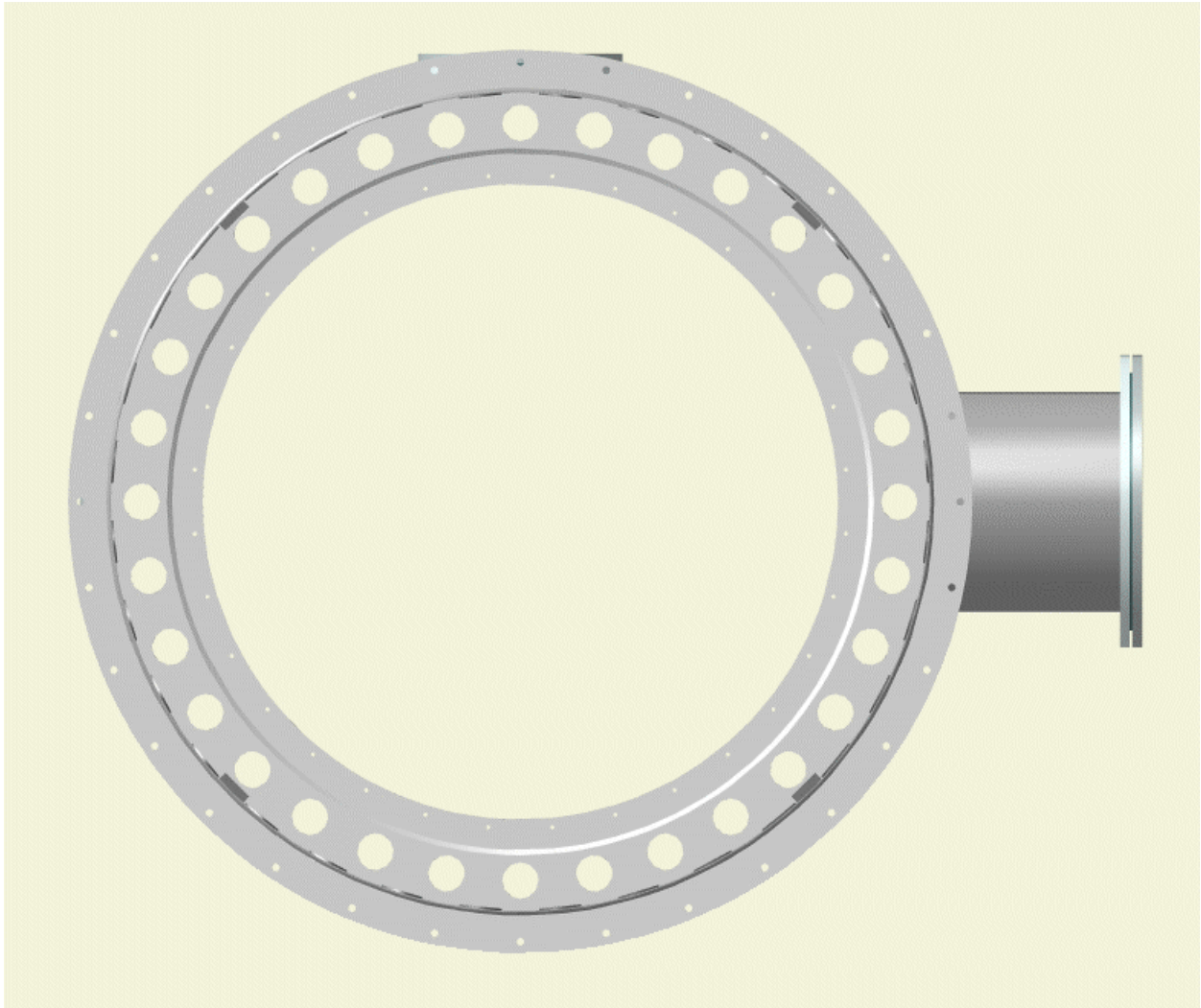
small-vvs-iso3.gif

CKM Small VVS – Iso View



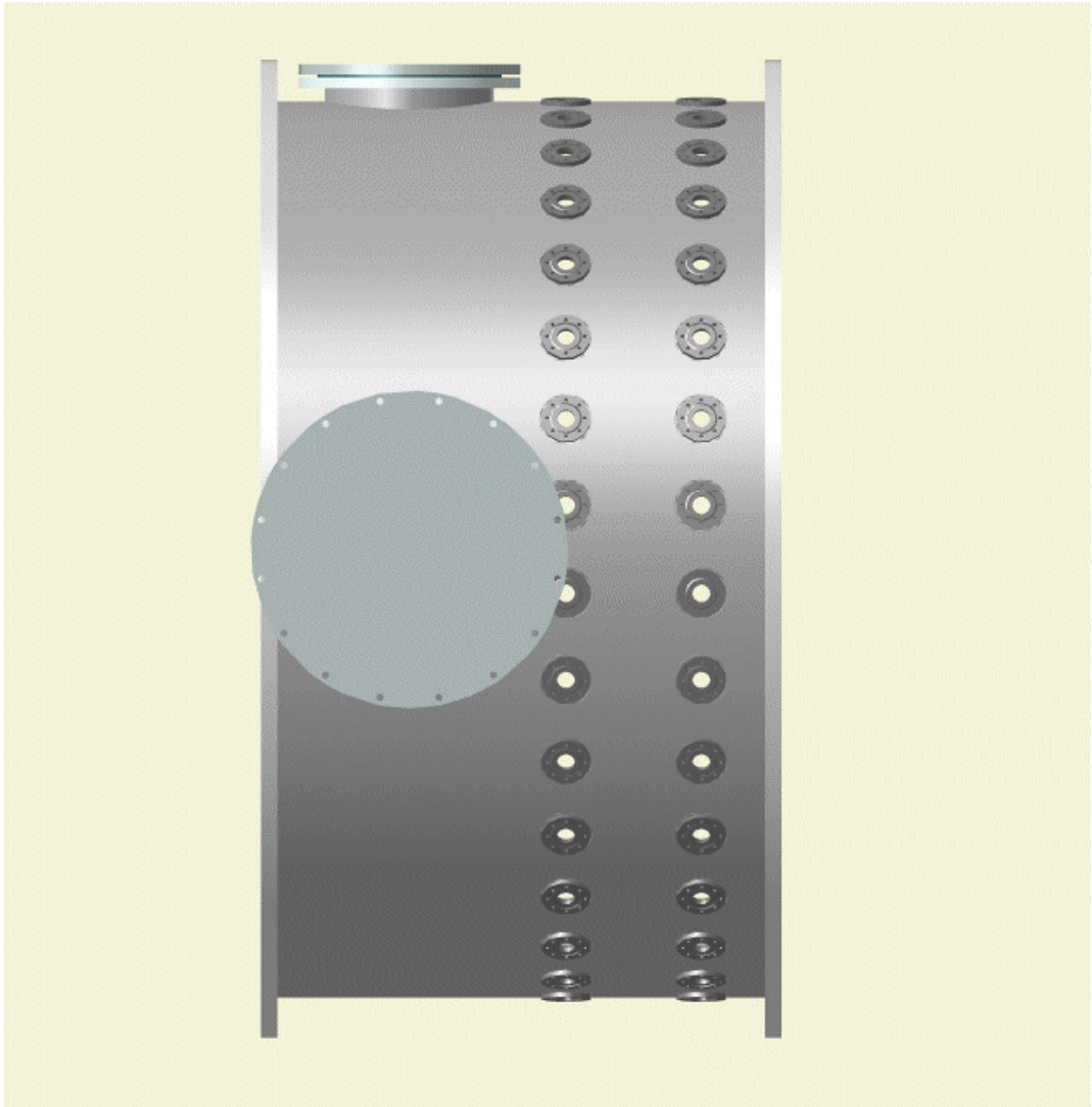
small-vvs-top3.gif

CKM Small VVS – Top View



small-vvs-front3.gif

CKM Small VVS – Front View



small-vvs-right3.gif

CKM Small VVS – Right View